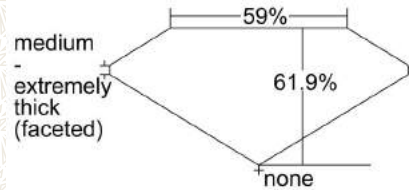


GIA COLORED DIAMOND REPORT

June 06, 2017
 Report Type Grading Report
 GIA Report Number 2185468302
 Shape and Cutting Style Cushion Modified Brilliant
 Measurements 4.54 x 4.34 x 2.69 mm

 Carat Weight 0.47 carat
 Color Grade Fancy Light Yellow-Green
 Color Origin Natural
 Color Distribution Even
 Clarity Grade SI1
 Proportions:

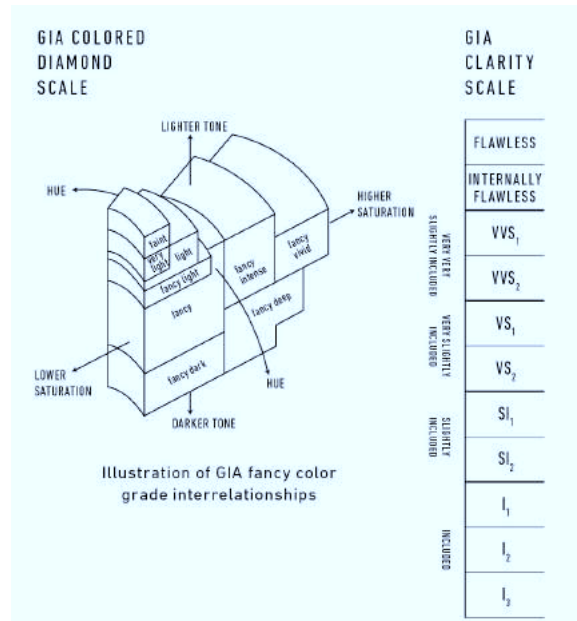


Profile not to actual proportions

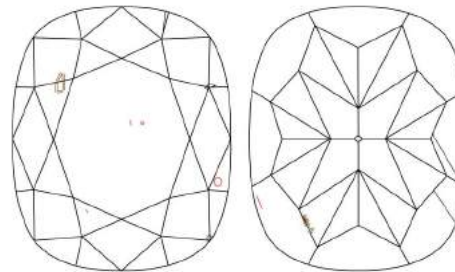
Polish Good
 Symmetry Good
 Fluorescence None
 Inscription(s): GIA 2185468302

Comments: Patches of color are not shown.

ADDITIONAL INFORMATION



CLARITY CHARACTERISTICS



KEY TO SYMBOLS*

- Crystal
- △ Extra Facet
- ▲ Indented Natural
- ∩ Feather
- ∟ Needle

* Red symbols denote internal characteristics (inclusions). Green or black symbols denote external characteristics (blemishes). Diagram is an approximate representation of the diamond, and symbols shown indicate type, position, and approximate size of clarity characteristics. All clarity characteristics may not be shown. Details of finish are not shown.



reportcheck.gia.edu



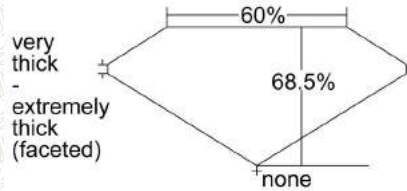
The results documented in this report refer only to the diamond described, and were obtained using the techniques and equipment used by GIA at the time of examination. This report is not a guarantee or valuation. For additional information and important limitations and disclaimers, please see www.gia.edu/terms or call +1 800 421 7250 or +1 760 603 4500. ©2014 Gemological Institute of America, Inc.

 THE SECURITY FEATURES IN THIS DOCUMENT, INCLUDING THE HOLOGRAM, SECURITY SCREEN AND MICROPRINT LINES, IN ADDITION TO THOSE NOT LISTED, EXCEED DOCUMENT SECURITY INDUSTRY GUIDELINES.

GIA COLORED DIAMOND REPORT

September 01, 2015
 Report Type Grading Report
 GIA Report Number 2206544319
 Shape and Cutting Style Cushion Modified Brilliant
 Measurements 4.95 x 4.85 x 3.32 mm

Carat Weight 0.73 carat
 Color Grade Fancy Brownish Pink
 Color Origin Natural
 Color Distribution Even
 Clarity Grade I1
 Proportions:

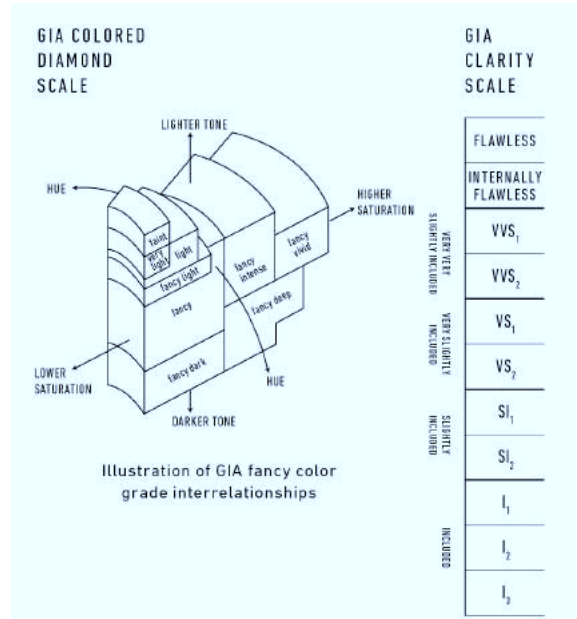


Profile not to actual proportions

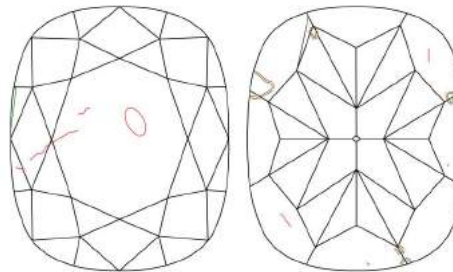
Polish Good
 Symmetry Very Good
 Fluorescence None
 Inscription(s): GIA 2206544319

Comments: Clouds are not shown.

ADDITIONAL INFORMATION



CLARITY CHARACTERISTICS



KEY TO SYMBOLS*

- Crystal
- △ Natural
- ~ Feather
- △ Extra Facet
- ⌢ Indented Natural
- ∖ Needle

* Red symbols denote internal characteristics (inclusions). Green or black symbols denote external characteristics (blemishes). Diagram is an approximate representation of the diamond, and symbols shown indicate type, position, and approximate size of clarity characteristics. All clarity characteristics may not be shown. Details of finish are not shown.



reportcheck.gia.edu



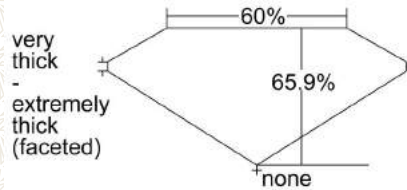
The results documented in this report refer only to the diamond described, and were obtained using the techniques and equipment used by GIA at the time of examination. This report is not a guarantee or valuation. For additional information and important limitations and disclaimers, please see www.gia.edu/terms or call +1 800 421 7250 or +1 760 603 4500. ©2014 Gemological Institute of America, Inc.

 THE SECURITY FEATURES IN THIS DOCUMENT, INCLUDING THE HOLOGRAM, SECURITY SCREEN AND MICROPRINT LINES, IN ADDITION TO THOSE NOT LISTED, EXCEED DOCUMENT SECURITY INDUSTRY GUIDELINES.

GIA COLORED DIAMOND REPORT

June 14, 2017
 Report Type Grading Report
 GIA Report Number 6187497410
 Shape and Cutting Style Cushion Modified Brilliant
 Measurements 5.57 x 5.54 x 3.65 mm

Carat Weight 1.00 carat
 Color Grade Fancy Green-Yellow
 Color Origin Natural
 Color Distribution Even
 Clarity Grade SI2
 Proportions:

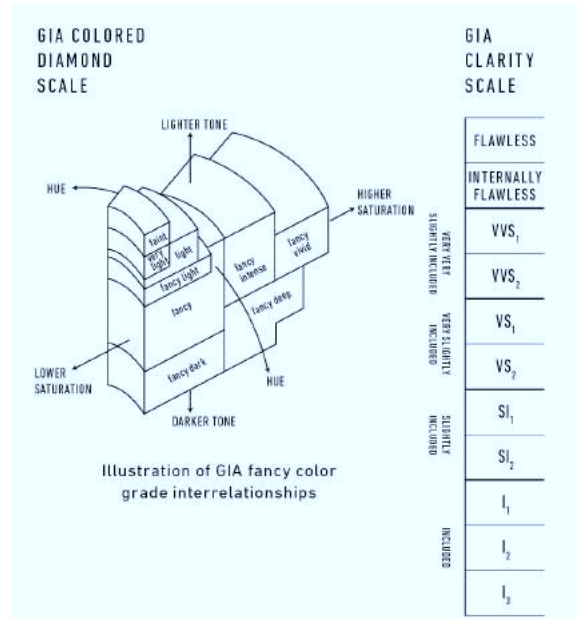


Profile not to actual proportions

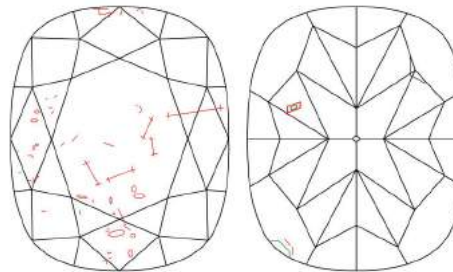
Polish Excellent
 Symmetry Very Good
 Fluorescence None
 Inscription(s): GIA 6187497410

Comments: Additional twinning wisps, patches of color, pinpoints, internal graining and surface graining are not shown.

ADDITIONAL INFORMATION



CLARITY CHARACTERISTICS



KEY TO SYMBOLS*

- Twinning Wisp
- Crystal
- Feather
- Etch Channel
- Needle
- Natural
- Extra Facet

* Red symbols denote internal characteristics (inclusions). Green or black symbols denote external characteristics (blemishes). Diagram is an approximate representation of the diamond, and symbols shown indicate type, position, and approximate size of clarity characteristics. All clarity characteristics may not be shown. Details of finish are not shown.



reportcheck.gia.edu



The results documented in this report refer only to the diamond described, and were obtained using the techniques and equipment used by GIA at the time of examination. This report is not a guarantee or valuation. For additional information and important limitations and disclaimers, please see www.gia.edu/terms or call +1 800 421 7250 or +1 760 603 4500. ©2014 Gemological Institute of America, Inc.

THE SECURITY FEATURES IN THIS DOCUMENT, INCLUDING THE HOLOGRAM, SECURITY SCREEN AND MICROPRINT LINES, IN ADDITION TO THOSE NOT LISTED, EXCEED DOCUMENT SECURITY INDUSTRY GUIDELINES.